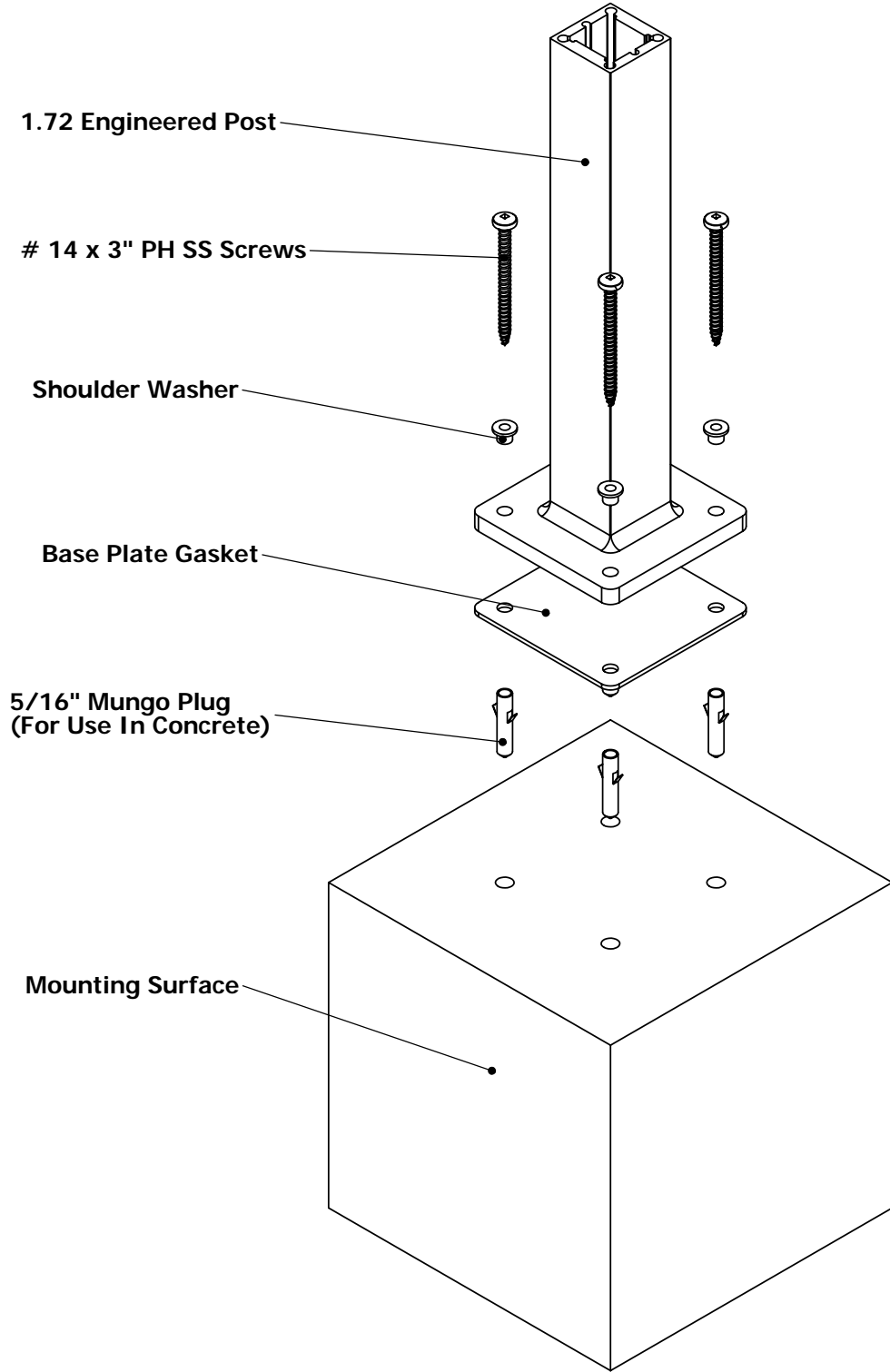


DeckRail

A Product of DeckRite LLC
3912 East Progress
North Little Rock, AR 72114
Phone: (501) 945-1919
Fax: (501) 604-0235



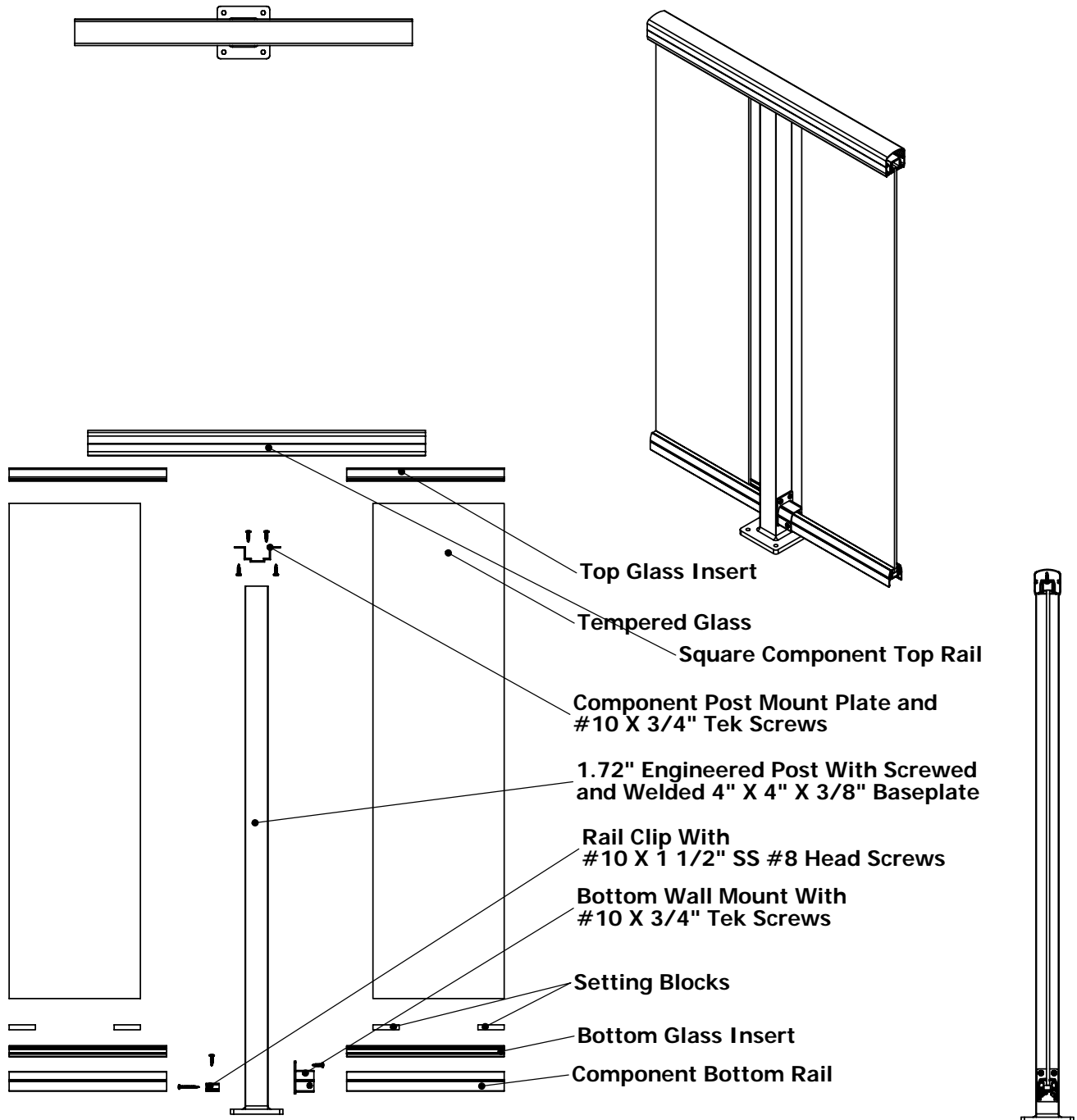
THE MATERIAL CONTAINED HEREIN IS PROPRIETARY TO DECKRITE LLC. AND SHALL NOT BE REPRODUCED, DISCLOSED, OR USED FOR ANY OTHER PURPOSE WITHOUT THE WRITTEN CONSENT OF DECKRITE LLC.

DeckRail

A Product of DeckRite LLC
3912 East Progress
North Little Rock, AR 72114
Phone: (501) 945-1919
Fax: (501) 604-0235



1.72" Engineered Inline Post - Component Glass



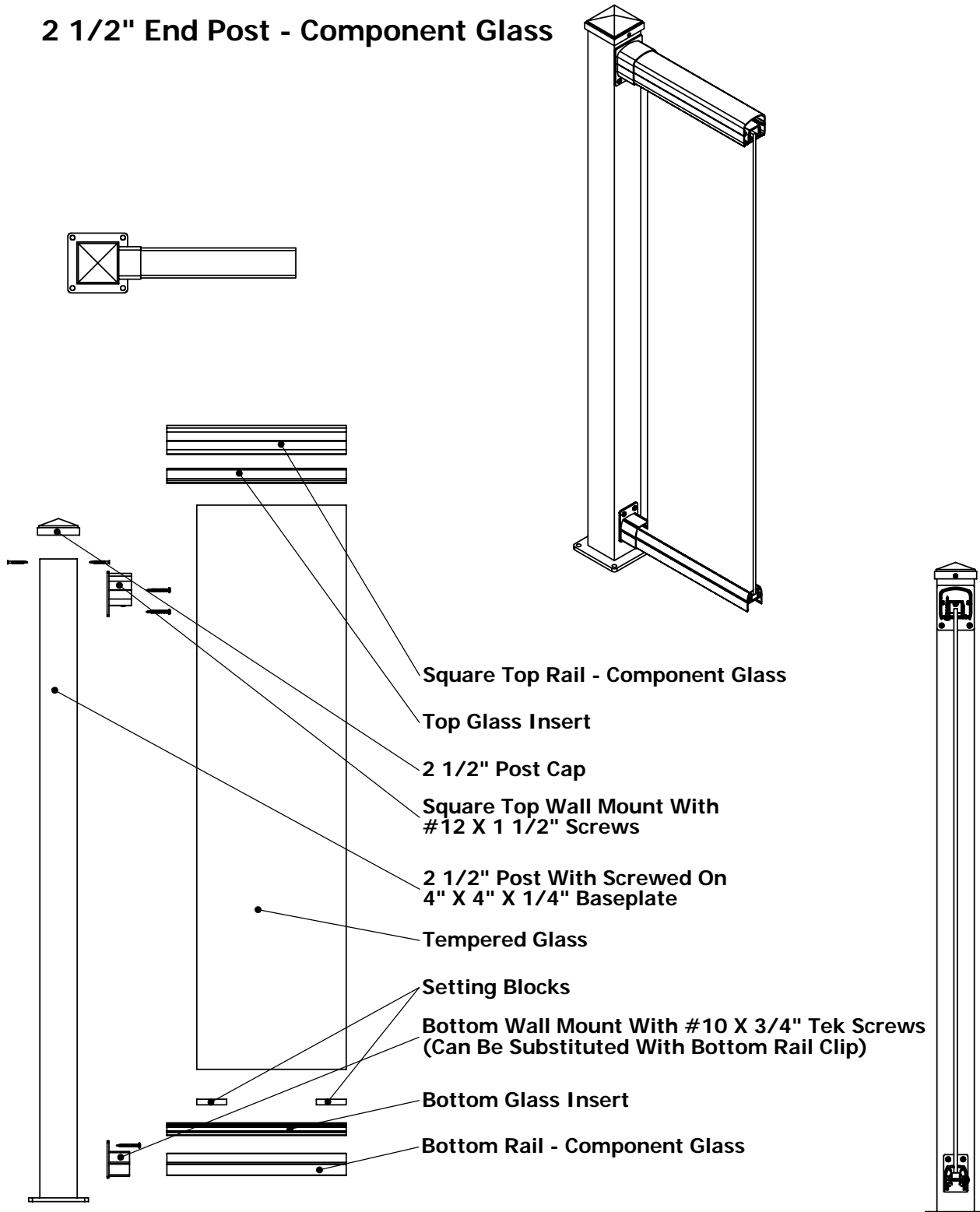
THE MATERIAL CONTAINED HEREIN IS PROPRIETARY TO DECKRITE LLC. AND SHALL NOT BE REPRODUCED, DISCLOSED, OR USED FOR ANY OTHER PURPOSE WITHOUT THE WRITTEN CONSENT OF DECKRITE LLC.

DeckRail

A Product of DeckRite LLC
3912 East Progress
North Little Rock, AR 72114
Phone: (501) 945-1919
Fax: (501) 604-0235



2 1/2" End Post - Component Glass



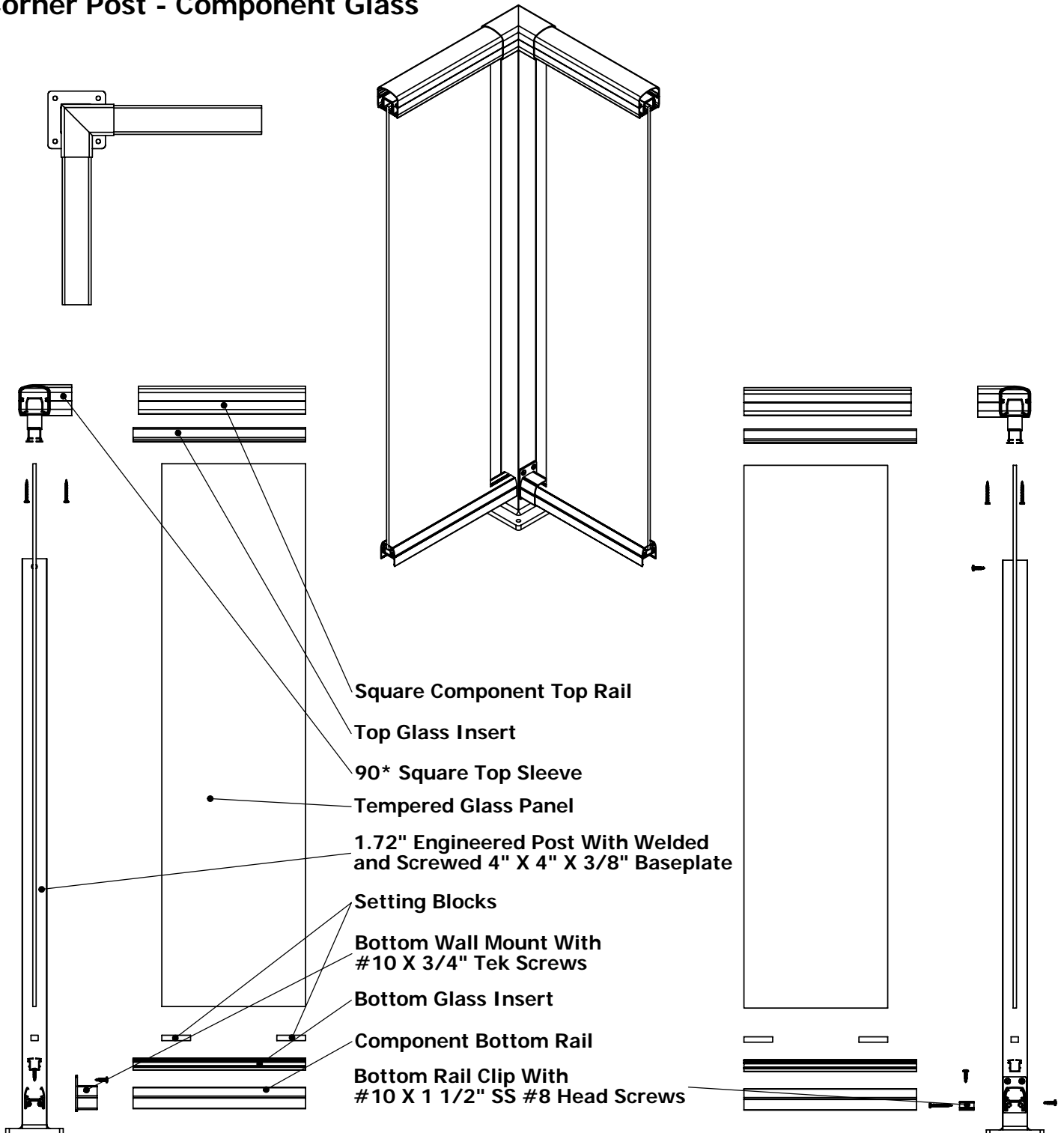
THE MATERIAL CONTAINED HEREIN IS PROPRIETARY TO DECKRITE LLC. AND SHALL NOT BE REPRODUCED, DISCLOSED, OR USED FOR ANY OTHER PURPOSE WITHOUT THE WRITTEN CONSENT OF DECKRITE LLC.

DeckRail

A Product of DeckRite LLC
3912 East Progress
North Little Rock, AR 72114
Phone: (501) 945-1919
Fax: (501) 604-0235



1.72" Engineered 90 Degree Corner Post - Component Glass



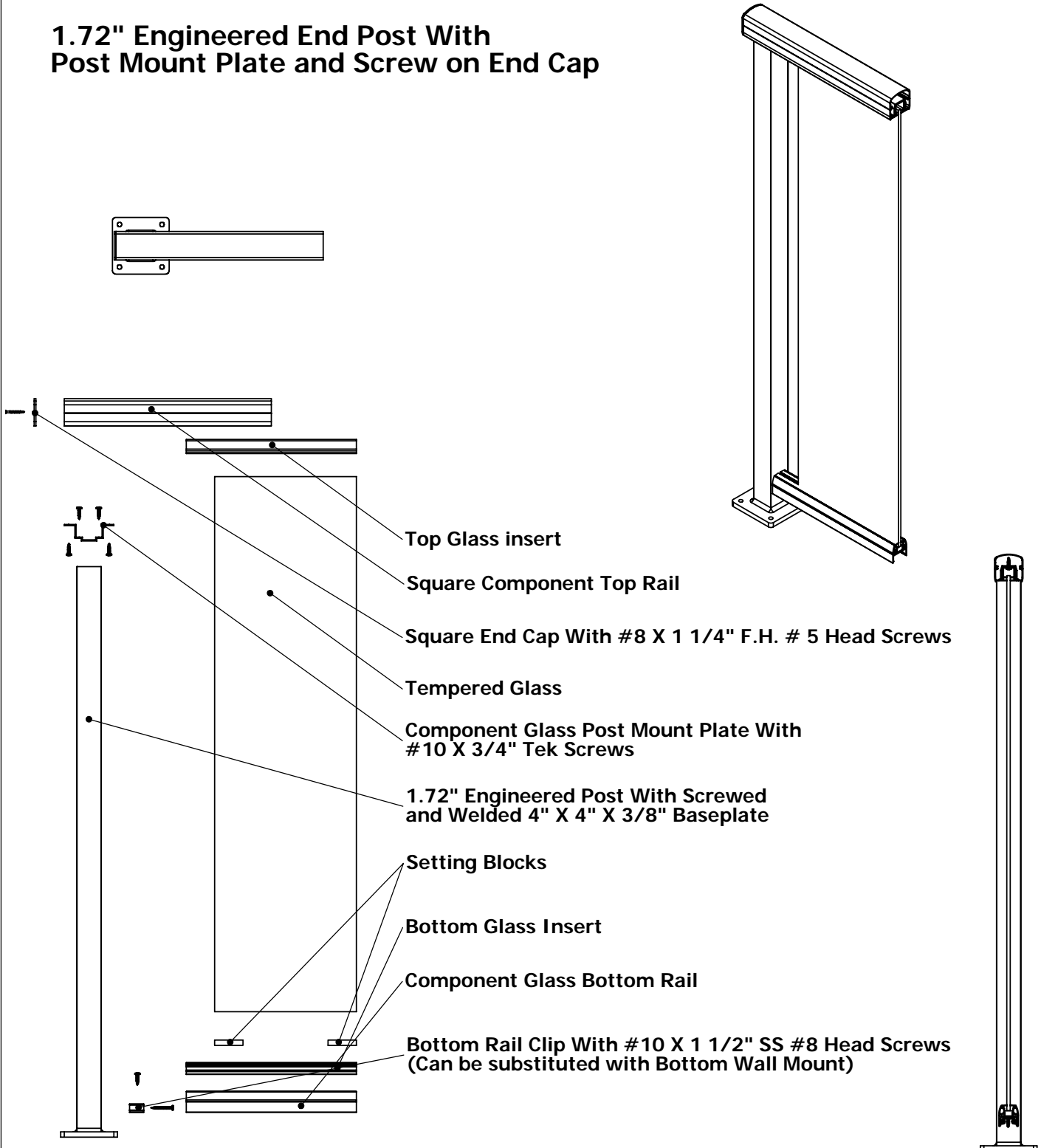
THE MATERIAL CONTAINED HEREIN IS PROPRIETARY TO DECKRITE LLC. AND SHALL NOT BE REPRODUCED, DISCLOSED, OR USED FOR ANY OTHER PURPOSE WITHOUT THE WRITTEN CONSENT OF DECKRITE LLC.

DeckRail

A Product of DeckRite LLC
3912 East Progress
North Little Rock, AR 72114
Phone: (501) 945-1919
Fax: (501) 604-0235



1.72" Engineered End Post With Post Mount Plate and Screw on End Cap



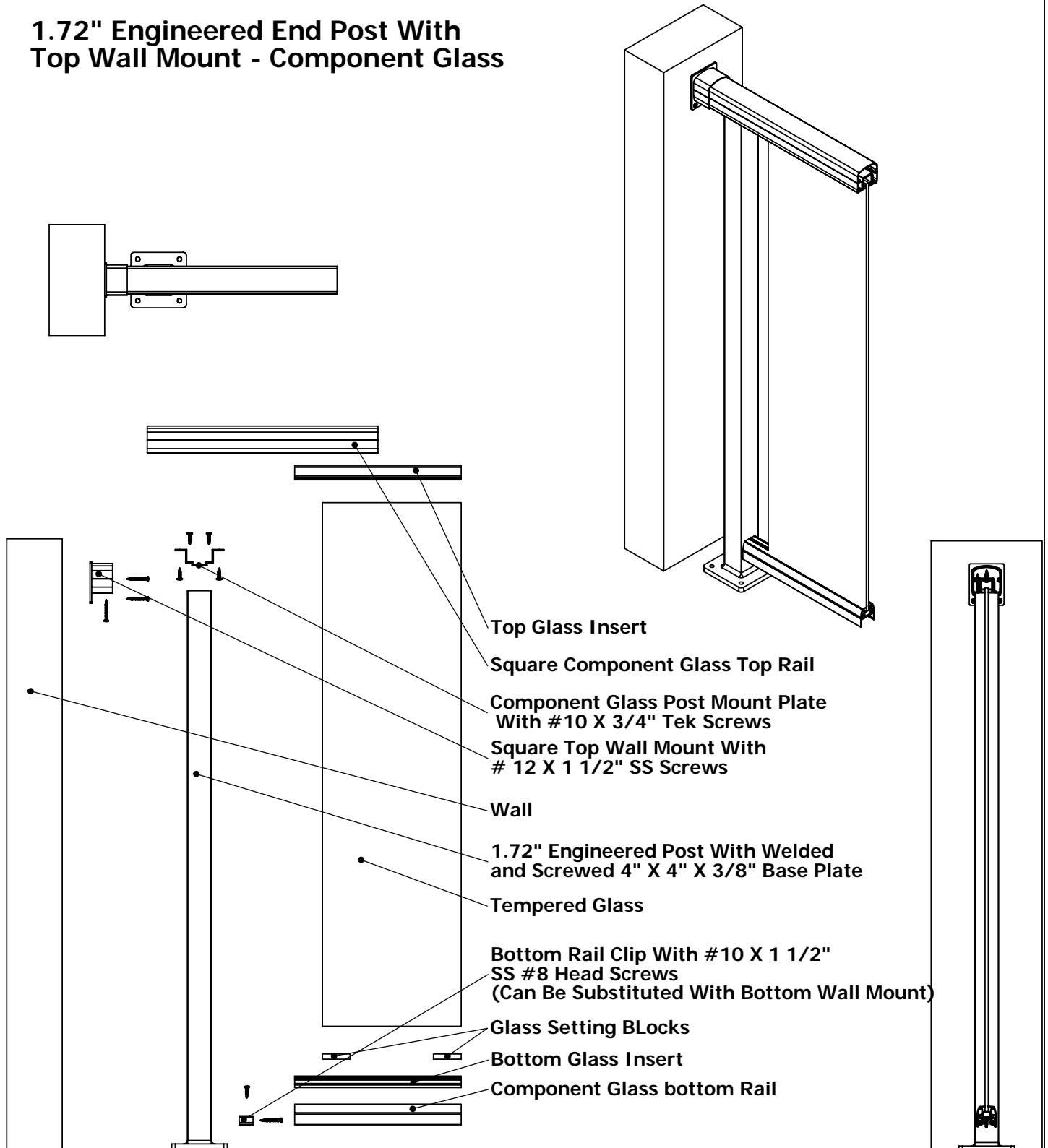
THE MATERIAL CONTAINED HEREIN IS PROPRIETARY TO DECKRITE LLC. AND SHALL NOT BE REPRODUCED, DISCLOSED, OR USED FOR ANY OTHER PURPOSE WITHOUT THE WRITTEN CONSENT OF DECKRITE LLC.

DeckRail

A Product of DeckRite LLC
3912 East Progress
North Little Rock, AR 72114
Phone: (501) 945-1919
Fax: (501) 604-0235



1.72" Engineered End Post With Top Wall Mount - Component Glass



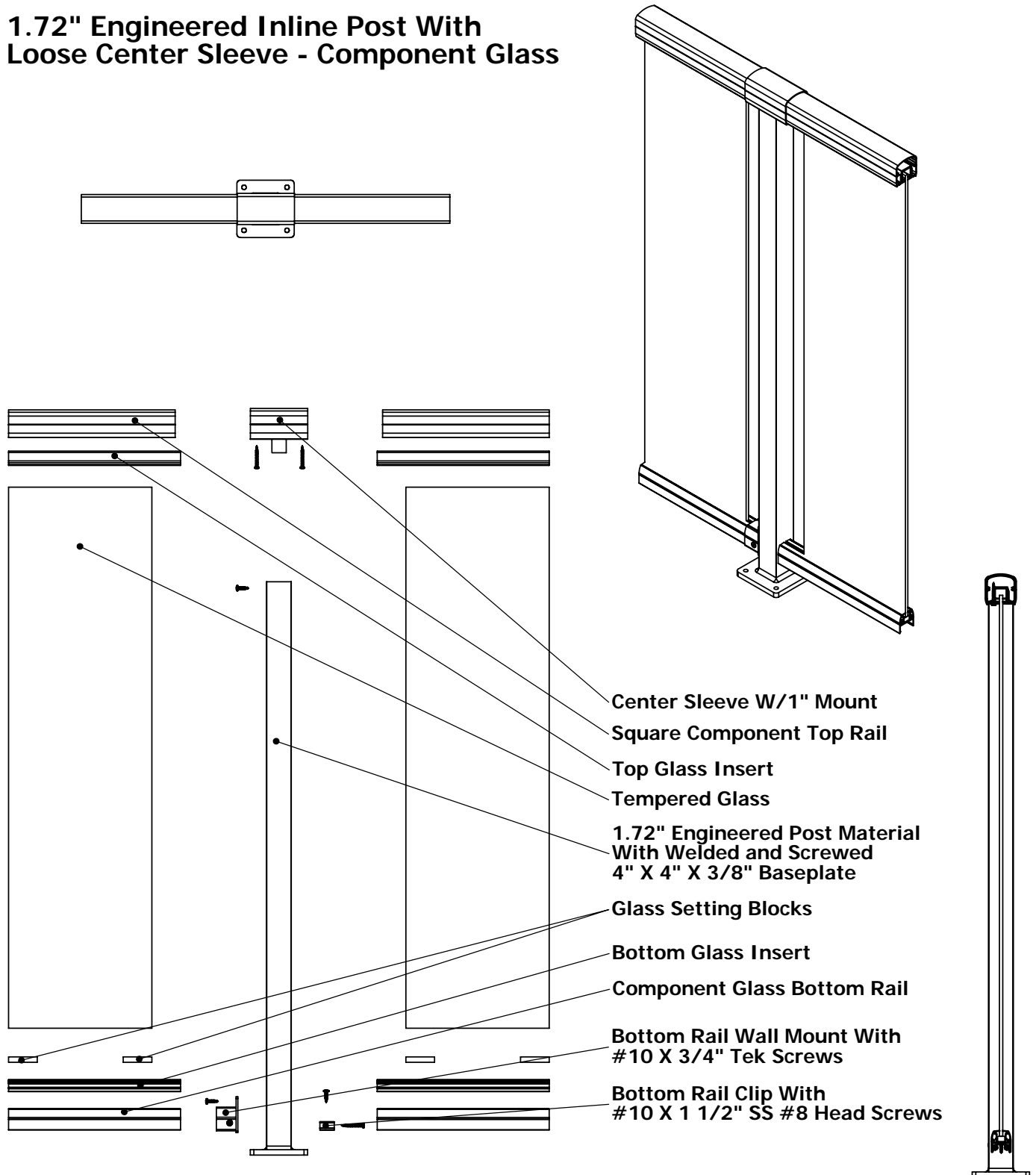
THE MATERIAL CONTAINED HEREIN IS PROPRIETARY TO DECKRITE LLC. AND SHALL NOT BE REPRODUCED, DISCLOSED, OR USED FOR ANY OTHER PURPOSE WITHOUT THE WRITTEN CONSENT OF DECKRITE LLC.

DeckRail

A Product of DeckRite LLC
3912 East Progress
North Little Rock, AR 72114
Phone: (501) 945-1919
Fax: (501) 604-0235



1.72" Engineered Inline Post With Loose Center Sleeve - Component Glass



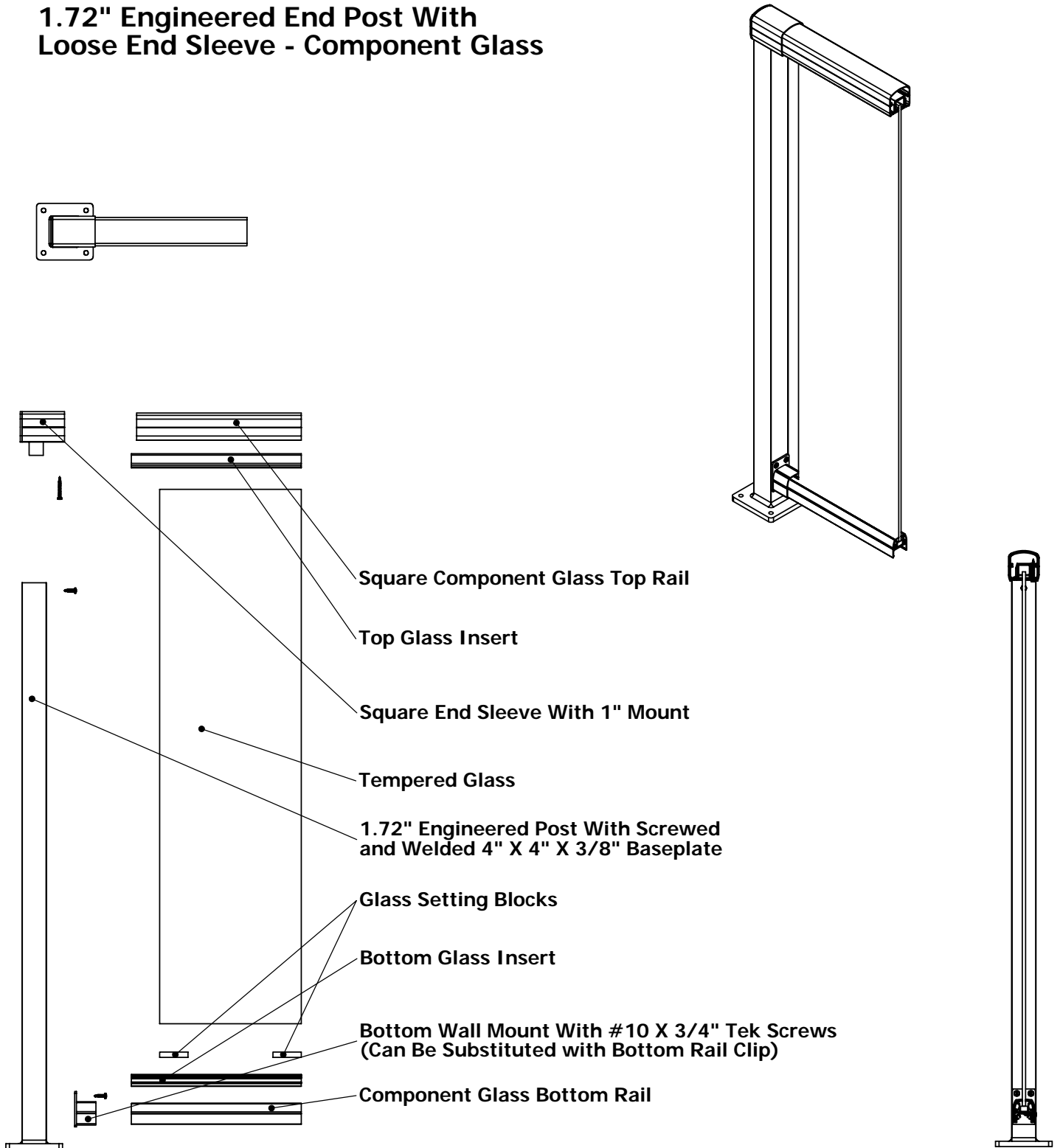
THE MATERIAL CONTAINED HEREIN IS PROPRIETARY TO DECKRITE LLC. AND SHALL NOT BE REPRODUCED, DISCLOSED, OR USED FOR ANY OTHER PURPOSE WITHOUT THE WRITTEN CONSENT OF DECKRITE LLC.

DeckRail

A Product of DeckRite LLC
3912 East Progress
North Little Rock, AR 72114
Phone: (501) 945-1919
Fax: (501) 604-0235



1.72" Engineered End Post With Loose End Sleeve - Component Glass



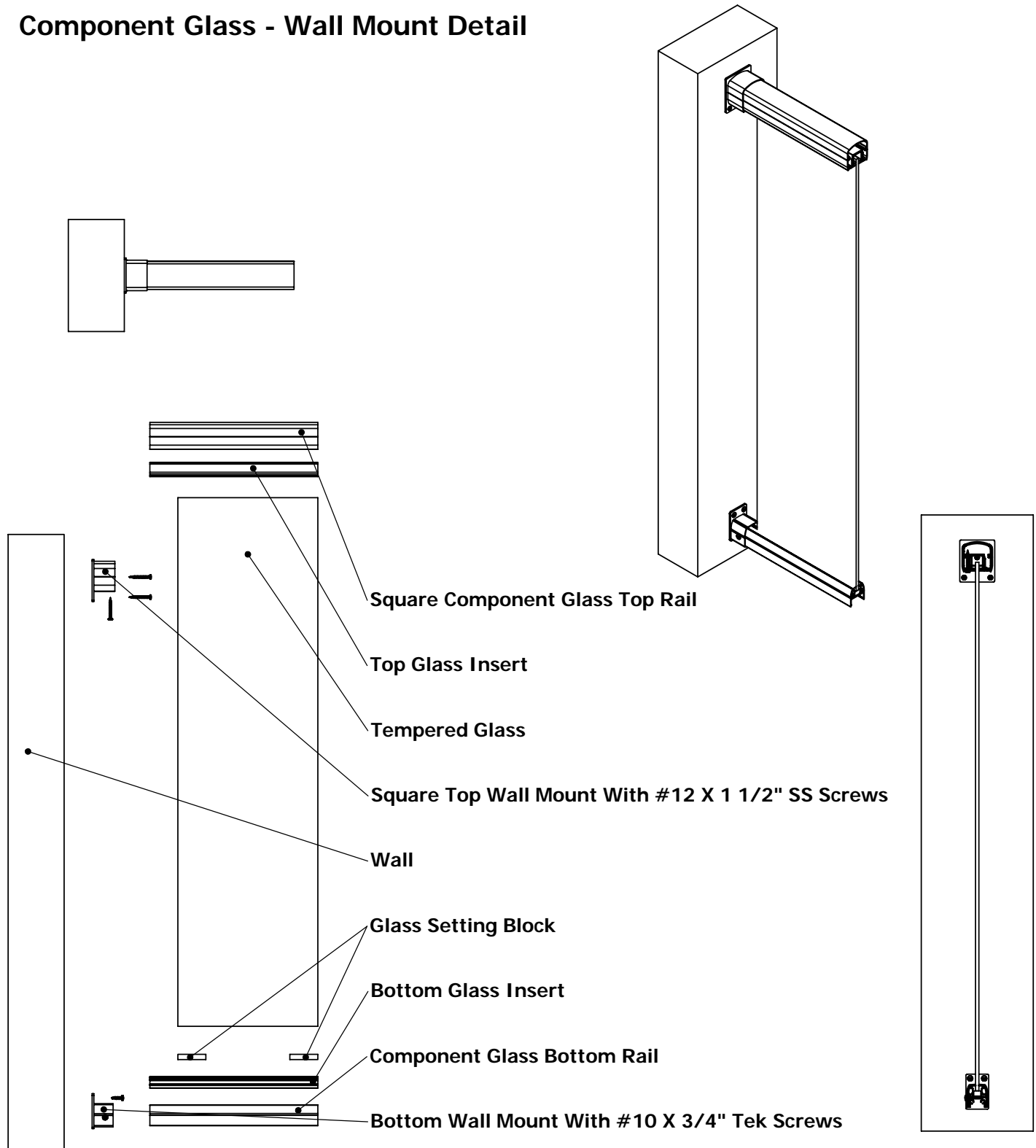
THE MATERIAL CONTAINED HEREIN IS PROPRIETARY TO DECKRITE LLC. AND SHALL NOT BE REPRODUCED, DISCLOSED, OR USED FOR ANY OTHER PURPOSE WITHOUT THE WRITTEN CONSENT OF DECKRITE LLC.

DeckRail

A Product of DeckRite LLC
3912 East Progress
North Little Rock, AR 72114
Phone: (501) 945-1919
Fax: (501) 604-0235



Component Glass - Wall Mount Detail



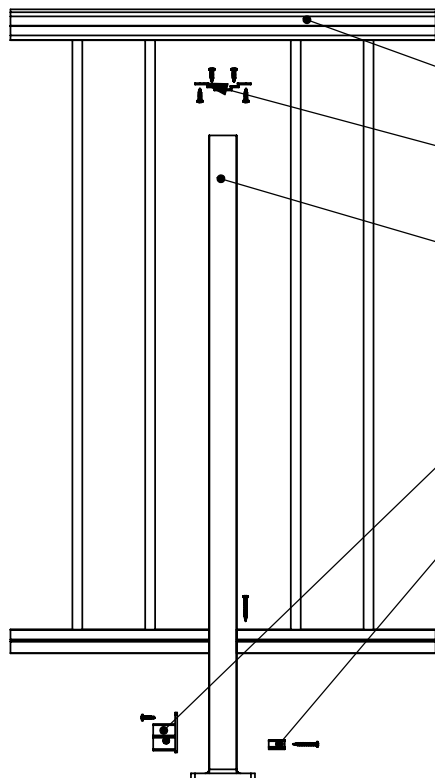
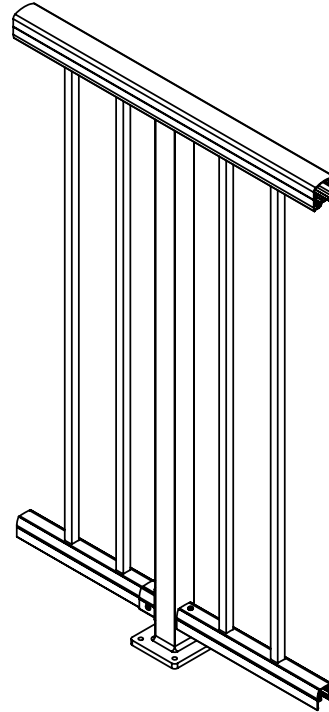
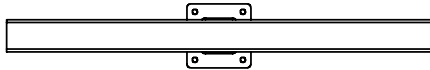
THE MATERIAL CONTAINED HEREIN IS PROPRIETARY TO DECKRITE LLC. AND SHALL NOT BE REPRODUCED, DISCLOSED, OR USED FOR ANY OTHER PURPOSE WITHOUT THE WRITTEN CONSENT OF DECKRITE LLC.

DeckRail

A Product of DeckRite LLC
3912 East Progress
North Little Rock, AR 72114
Phone: (501) 945-1919
Fax: (501) 604-0235



1.72" Engineered Inline Post - Welded Picket



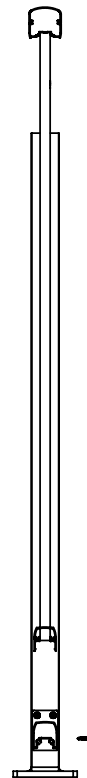
Square Top Welded Picket Panel

Welded Picket Post Mount Plate With #10 X 3/4" Tek Screws to Mount Top Rail to Post

1.72" Engineered Post With Screwed and Welded 4" X 4" X 3/8" Baseplate

Bottom Wall Mount With #10 X 3/4" Tek Screws

Bottom Rail Clip With #10 X 1 1/2" Screws



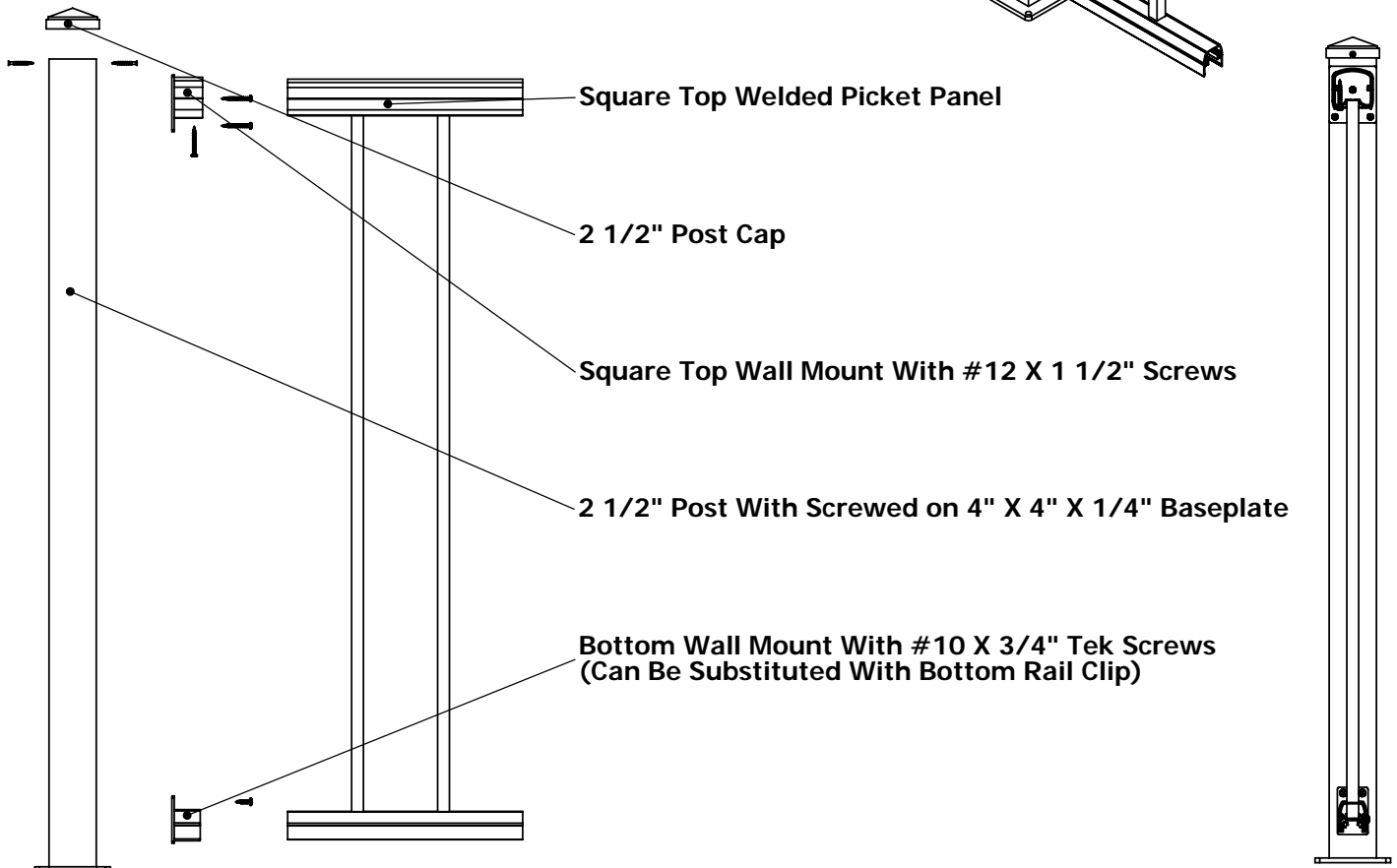
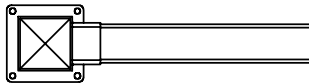
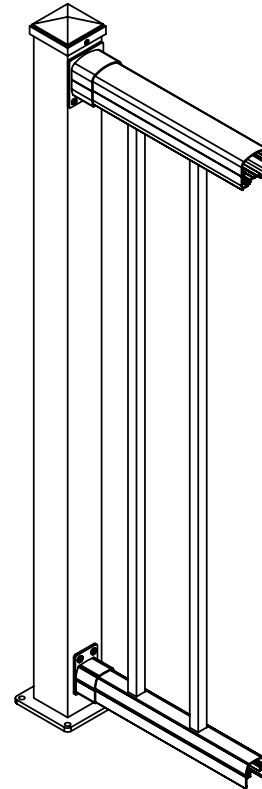
THE MATERIAL CONTAINED HEREIN IS PROPRIETARY TO DECKRITE LLC. AND SHALL NOT BE REPRODUCED, DISCLOSED, OR USED FOR ANY OTHER PURPOSE WITHOUT THE WRITTEN CONSENT OF DECKRITE LLC.

DeckRail

A Product of DeckRite LLC
3912 East Progress
North Little Rock, AR 72114
Phone: (501) 945-1919
Fax: (501) 604-0235



2 1/2" End Post - Welded Picket



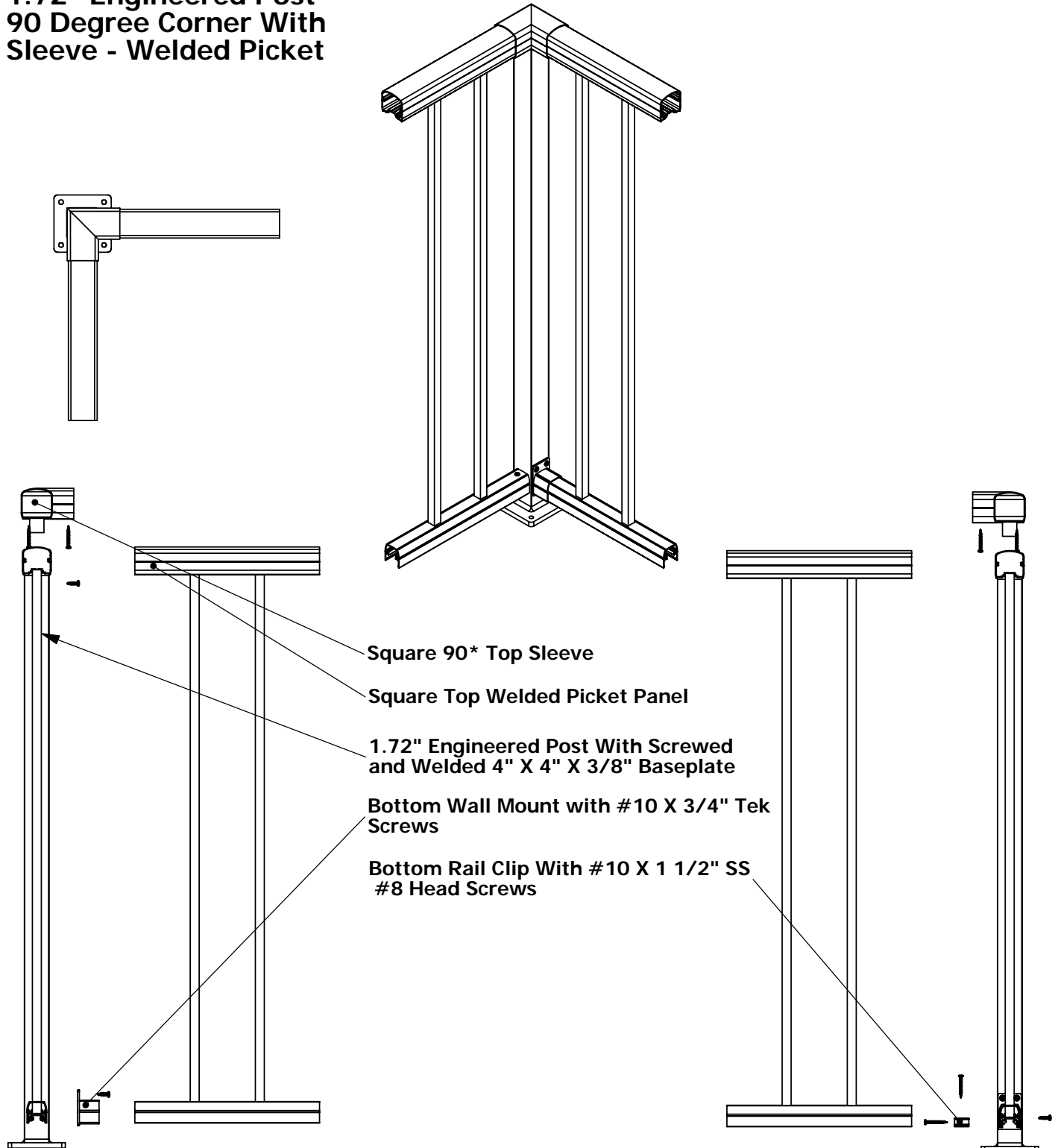
THE MATERIAL CONTAINED HEREIN IS PROPRIETARY TO DECKRITE LLC. AND SHALL NOT BE REPRODUCED, DISCLOSED, OR USED FOR ANY OTHER PURPOSE WITHOUT THE WRITTEN CONSENT OF DECKRITE LLC.

DeckRail

A Product of DeckRite LLC
3912 East Progress
North Little Rock, AR 72114
Phone: (501) 945-1919
Fax: (501) 604-0235



1.72" Engineered Post 90 Degree Corner With Sleeve - Welded Picket



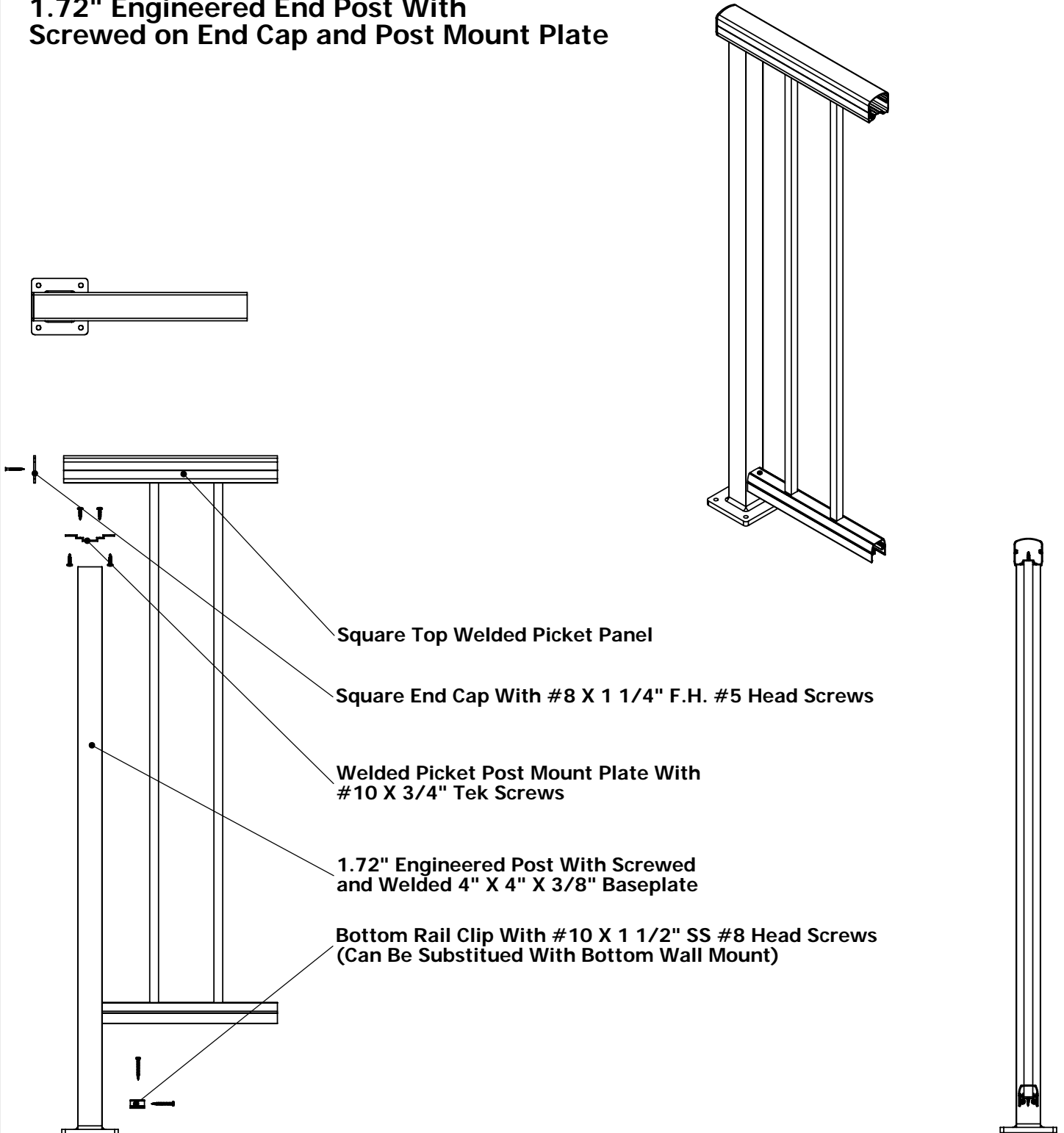
THE MATERIAL CONTAINED HEREIN IS PROPRIETARY TO DECKRITE LLC. AND SHALL NOT BE REPRODUCED, DISCLOSED, OR USED FOR ANY OTHER PURPOSE WITHOUT THE WRITTEN CONSENT OF DECKRITE LLC.

DeckRail

A Product of DeckRite LLC
3912 East Progress
North Little Rock, AR 72114
Phone: (501) 945-1919
Fax: (501) 604-0235



1.72" Engineered End Post With Screwed on End Cap and Post Mount Plate



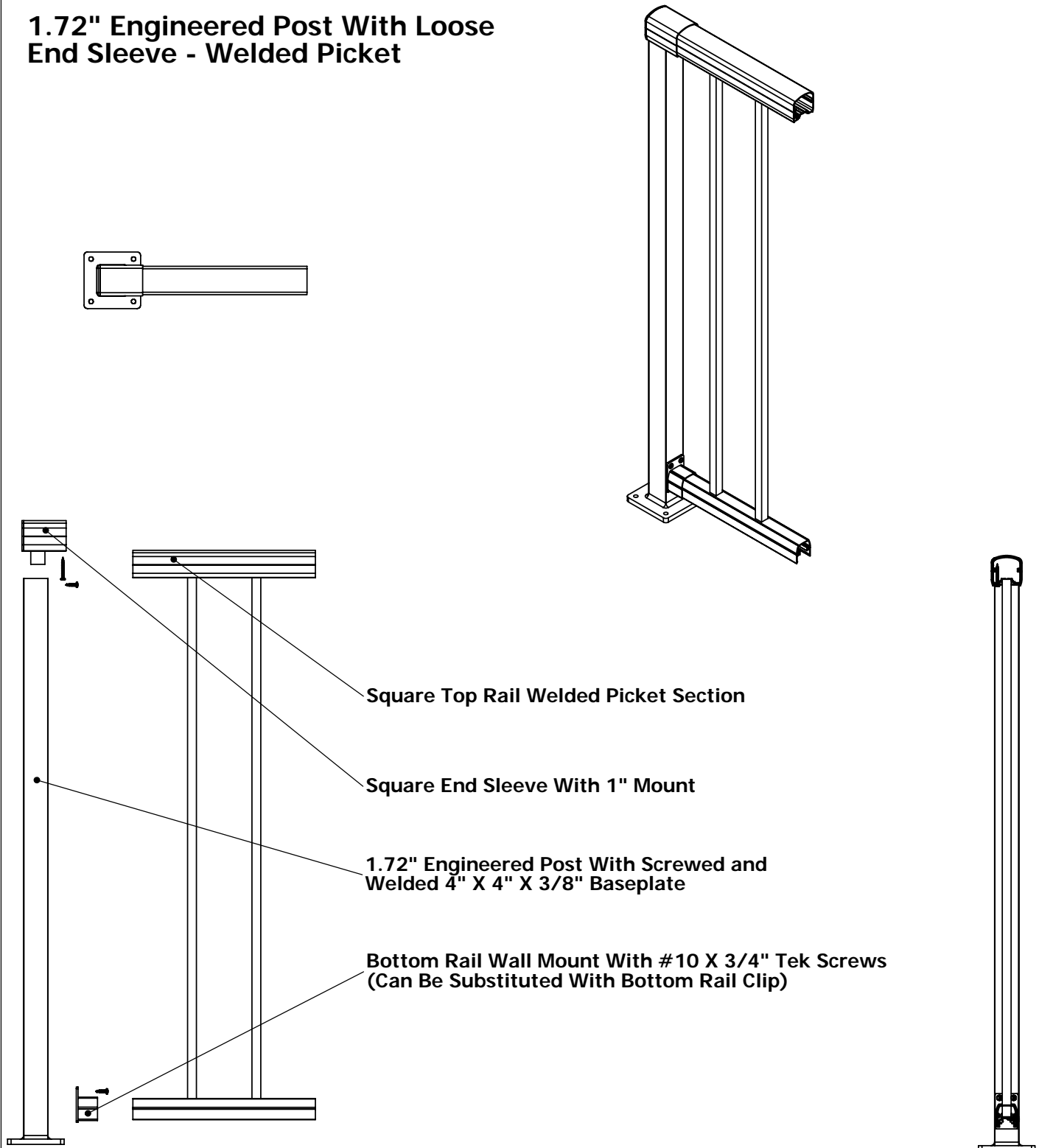
THE MATERIAL CONTAINED HEREIN IS PROPRIETARY TO DECKRITE LLC. AND SHALL NOT BE REPRODUCED, DISCLOSED, OR USED FOR ANY OTHER PURPOSE WITHOUT THE WRITTEN CONSENT OF DECKRITE LLC.

DeckRail

A Product of DeckRite LLC
3912 East Progress
North Little Rock, AR 72114
Phone: (501) 945-1919
Fax: (501) 604-0235



1.72" Engineered Post With Loose End Sleeve - Welded Picket



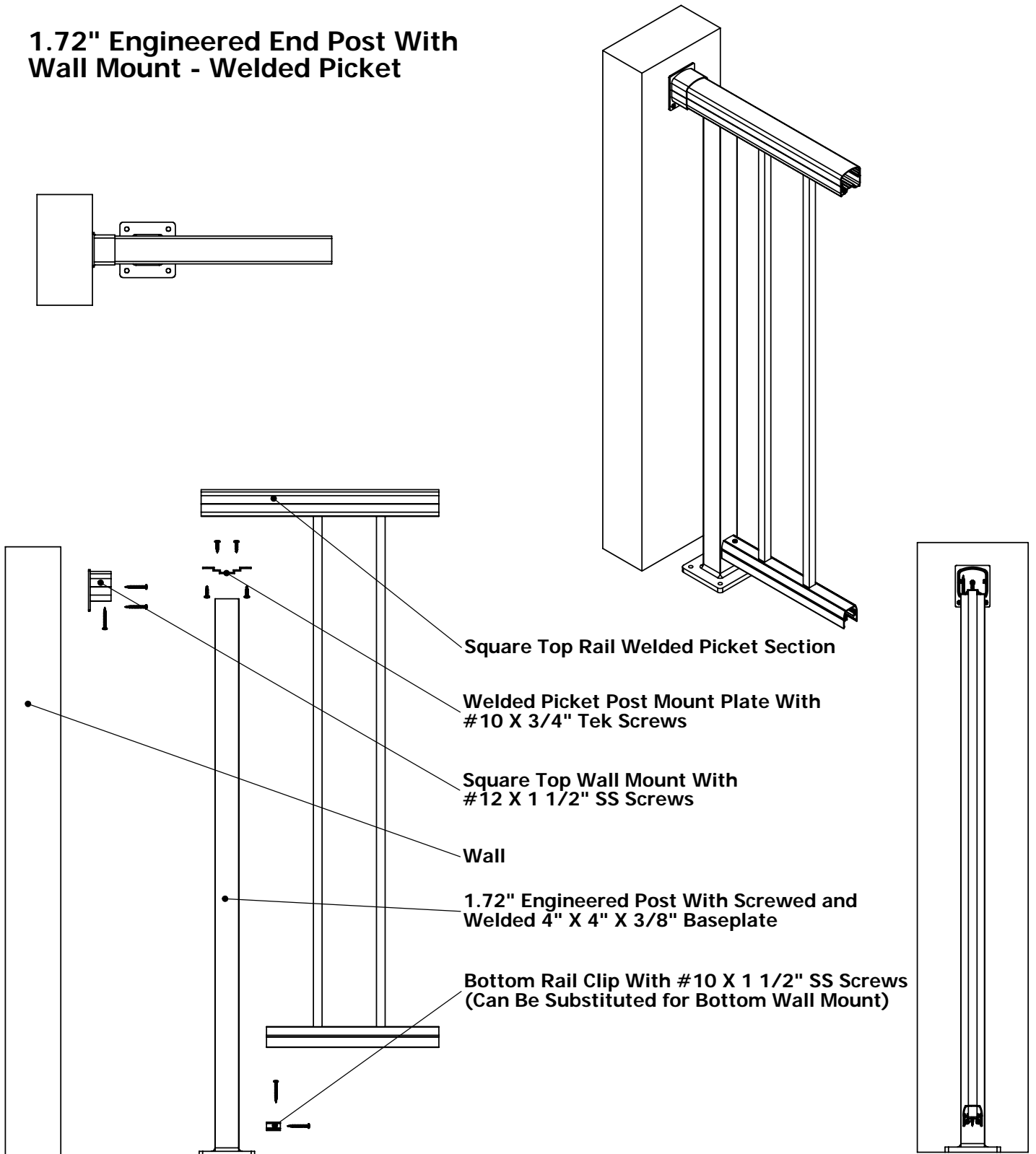
THE MATERIAL CONTAINED HEREIN IS PROPRIETARY TO DECKRITE LLC. AND SHALL NOT BE REPRODUCED, DISCLOSED, OR USED FOR ANY OTHER PURPOSE WITHOUT THE WRITTEN CONSENT OF DECKRITE LLC.

DeckRail

A Product of DeckRite LLC
3912 East Progress
North Little Rock, AR 72114
Phone: (501) 945-1919
Fax: (501) 604-0235



1.72" Engineered End Post With Wall Mount - Welded Picket



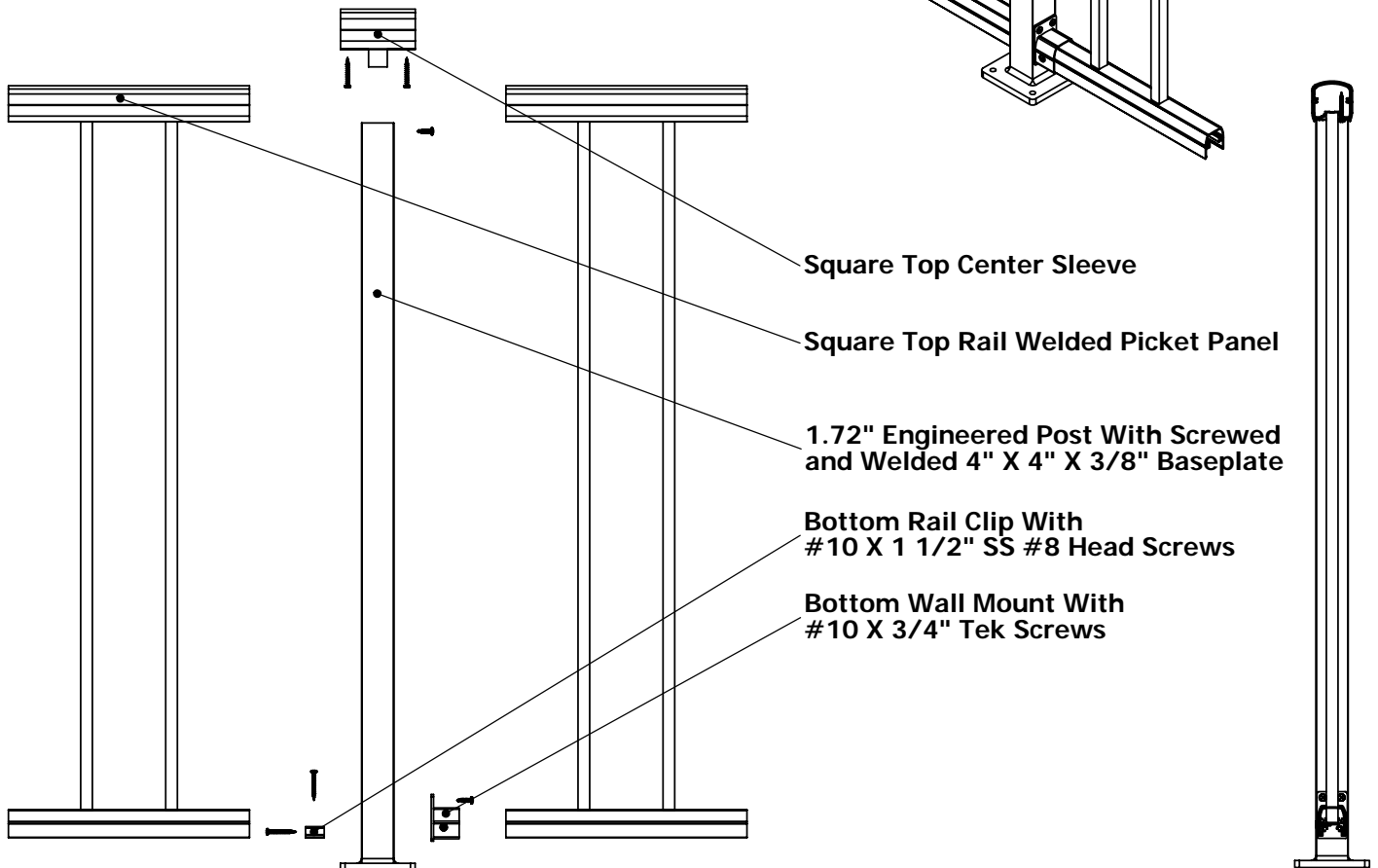
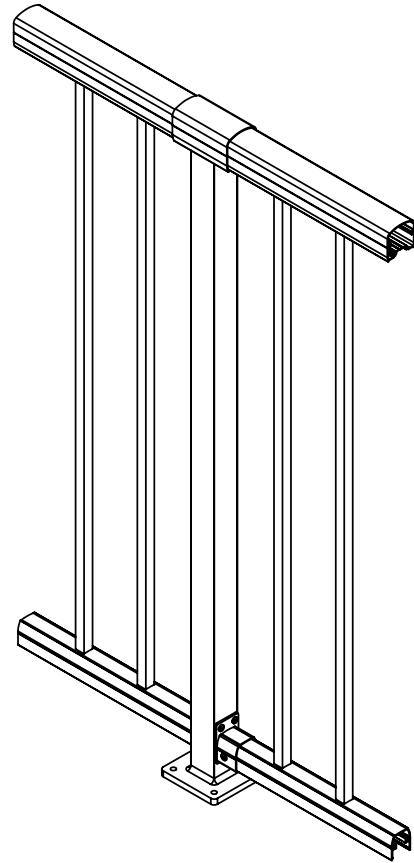
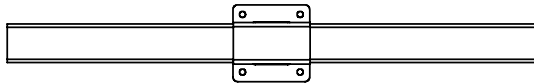
THE MATERIAL CONTAINED HEREIN IS PROPRIETARY TO DECKRITE LLC. AND SHALL NOT BE REPRODUCED, DISCLOSED, OR USED FOR ANY OTHER PURPOSE WITHOUT THE WRITTEN CONSENT OF DECKRITE LLC.

DeckRail

A Product of DeckRite LLC
3912 East Progress
North Little Rock, AR 72114
Phone: (501) 945-1919
Fax: (501) 604-0235



1.72" Engineered Inline Post With Loose Center Sleeve - Welded Picket



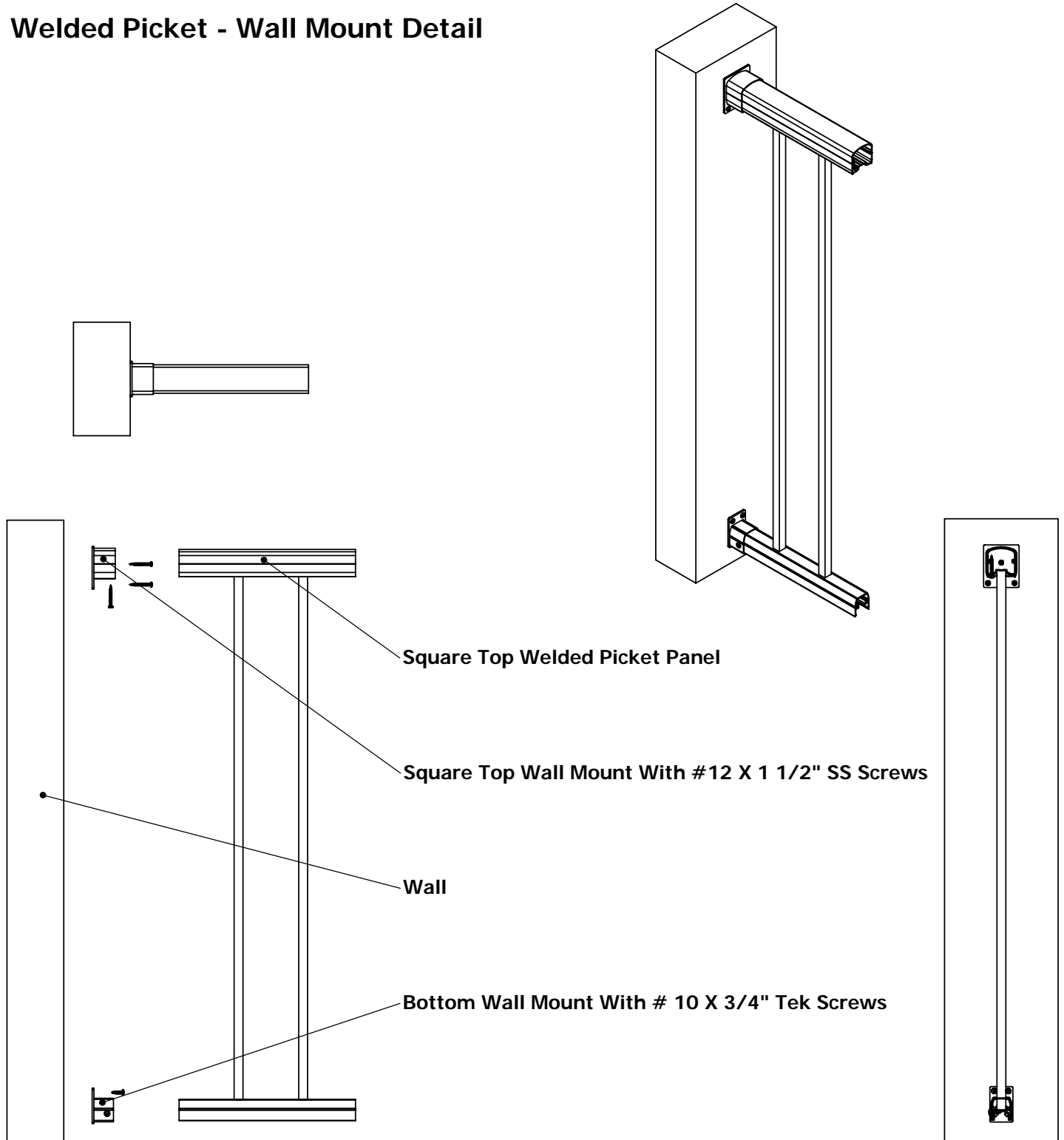
THE MATERIAL CONTAINED HEREIN IS PROPRIETARY TO DECKRITE LLC. AND SHALL NOT BE REPRODUCED, DISCLOSED, OR USED FOR ANY OTHER PURPOSE WITHOUT THE WRITTEN CONSENT OF DECKRITE LLC.

DeckRail

A Product of DeckRite LLC
3912 East Progress
North Little Rock, AR 72114
Phone: (501) 945-1919
Fax: (501) 604-0235



Welded Picket - Wall Mount Detail



THE MATERIAL CONTAINED HEREIN IS PROPRIETARY TO DECKRITE LLC. AND SHALL NOT BE REPRODUCED, DISCLOSED, OR USED FOR ANY OTHER PURPOSE WITHOUT THE WRITTEN CONSENT OF DECKRITE LLC.